

EN 14 & CP 14

Sealed Regenerative Blower w/ Explosion-Proof Motor

FEATURES

- Manufactured in the USA – ISO 9001 compliant
- Maximum flow: 920 SCFM
- Maximum pressure: 144 IWG
- Maximum vacuum: 115 IWG
- Standard motor: 30 HP, explosion-proof
- Cast aluminum blower housing, cover, impeller & manifold; cast iron flanges (threaded); teflon lip seal
- UL & CSA approved motor with permanently sealed ball bearings for explosive gas atmospheres Class I Group D minimum
- Sealed blower assembly
- Quiet operation within OSHA standards

MOTOR OPTIONS

- International voltage & frequency (Hz)
- Chemical duty, high efficiency, inverter duty or industry-specific designs
- Various horsepower for application-specific needs

BLOWER OPTIONS

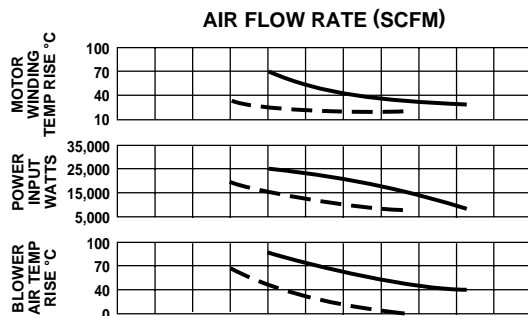
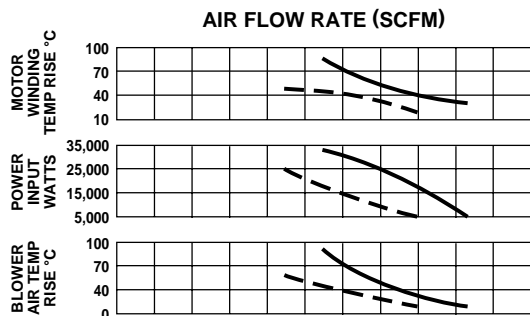
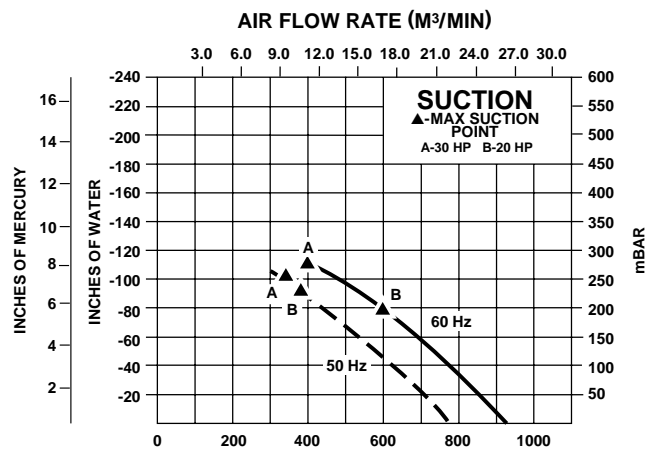
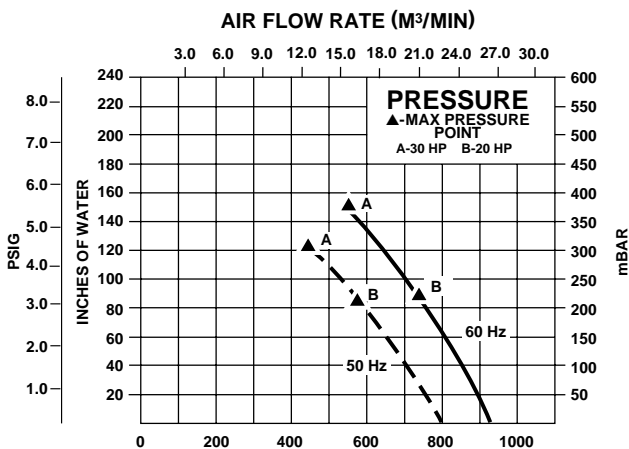
- Corrosion resistant surface treatments & sealing options
- Remote drive (motorless) models
- Slip-on or face flanges for application-specific needs

ACCESSORIES (See Catalog Accessory Section)

- Flowmeters reading in SCFM
- Filters & moisture separators
- Pressure gauges, vacuum gauges & relief valves
- Switches – air flow, pressure, vacuum or temperature
- External mufflers for additional silencing
- Air knives (used on blow-off applications)
- Variable frequency drive package



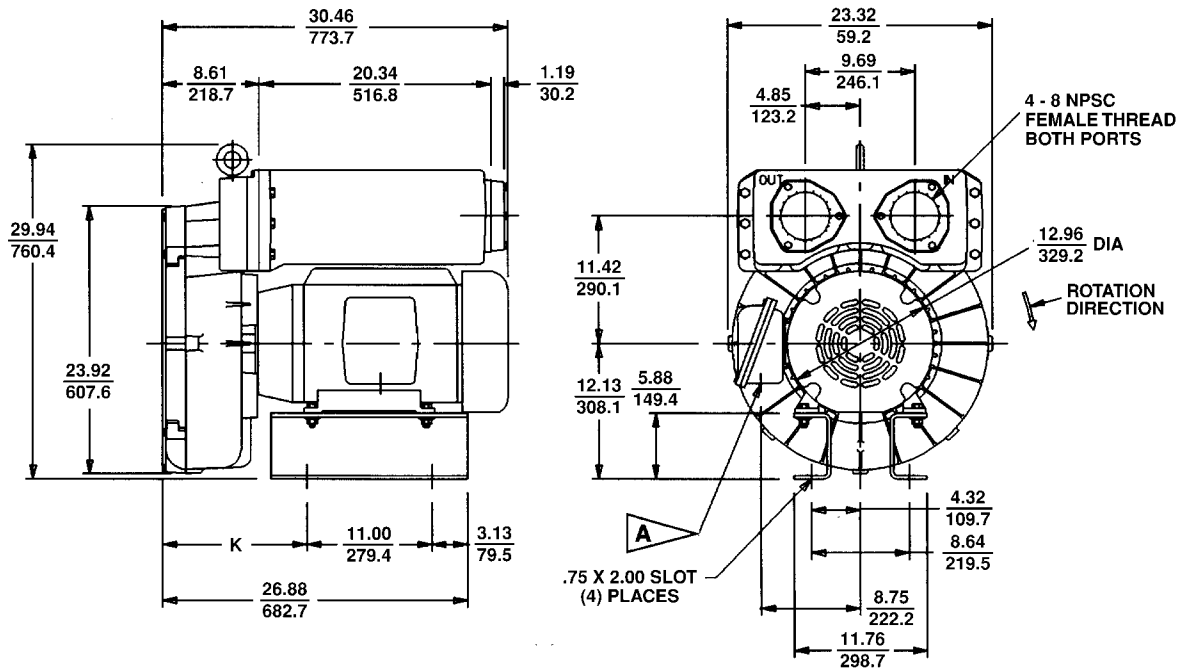
BLOWER PERFORMANCE AT STANDARD CONDITIONS



EN 14 & CP 14

Sealed Regenerative Blower w/Explosion-Proof Motor

Scale CAD drawing available upon request.



DIMENSIONS: $\frac{\text{IN}}{\text{MM}}$
 TOLERANCES: .XX \pm $\frac{.1}{2.5}$
 (UNLESS OTHERWISE NOTED)

A 1.25" NPT CONDUIT CONNECTION AT 6 O'CLOCK POSITION

MODEL	K (IN/MM)	J (IN/MM)	H (IN/MM)
EN/CP14DX72WL	13.3/338	12.9/328	9.64/245
EN/CP14BK72WL	12.75/324	12.1/307	8.62/219

SPECIFICATIONS

MODEL	EN14BK72MWL	EN14DX72MWL	EN14DX86MWL	CP14GB72MWLR	CP14GC72MWLR
Part No.	038760	038761	038762	-	038984
Motor Enclosure – Shaft Material	Explosion-proof – CS	Explosion-proof – CS	Explosion-proof – CS	Chem XP – SS	Chem XP – SS
Horsepower	20	30	30	Same as EN14BK72MWL – 038760 except add Chemical Processing (CP) features from catalog inside front cover	Same as EN14DX72MWL – 038761 except add Chemical Processing (CP) features from catalog inside front cover
Phase – Frequency ¹	Three - 60 Hz	Three - 60 Hz	Three - 60 Hz		
Voltage ¹	230 460	200-230 460	575		
Motor Nameplate Amps	46 23	75-66 33	26.5		
Max. Blower Amps ³	60 30	82 41	33		
Inrush Amps	294 147	448 224	226		
Starter Size	3 2	3 3	3		
Service Factor	1.0	1.0	1.0		
Thermal Protection ²	Class B - Pilot Duty	Class B - Pilot Duty	Class B - Pilot Duty		
XP Motor Class – Group	I-D, II-F&G	I-D, II-F&G	I-D, II-F&G		
Shipping Weight	680 lb (309 kg)	816 lb (370 kg)	816 lb (370 kg)		

¹ Rotron motors are designed to handle a broad range of world voltages and power supply variations. Our dual voltage 3 phase motors are factory tested and certified to operate on both: **208-230/415-460 VAC-3 ph-60 Hz** and **190-208/380-415 VAC-3 ph-50 Hz**. Our dual voltage 1 phase motors are factory tested and certified to operate on both: **104-115/208-230 VAC-1 ph-60 Hz** and **100-110/200-220 VAC-1 ph-50 Hz**. All voltages above can handle a $\pm 10\%$ voltage fluctuation. Special wound motors can be ordered for voltages outside our certified range.

² Maximum operating temperature: Motor winding temperature (winding rise plus ambient) should not exceed 140°C for Class F rated motors or 120°C for Class B rated motors. Blower outlet air temperature should not exceed 140°C (air temperature rise plus inlet temperature). Performance curve maximum pressure and suction points are based on a 40°C inlet and ambient temperature. Consult factory for inlet or ambient temperatures above 40°C.

³ Maximum blower amps corresponds to the performance point at which the motor or blower temperature rise with a 40°C inlet and/or ambient temperature reaches the maximum operating temperature.